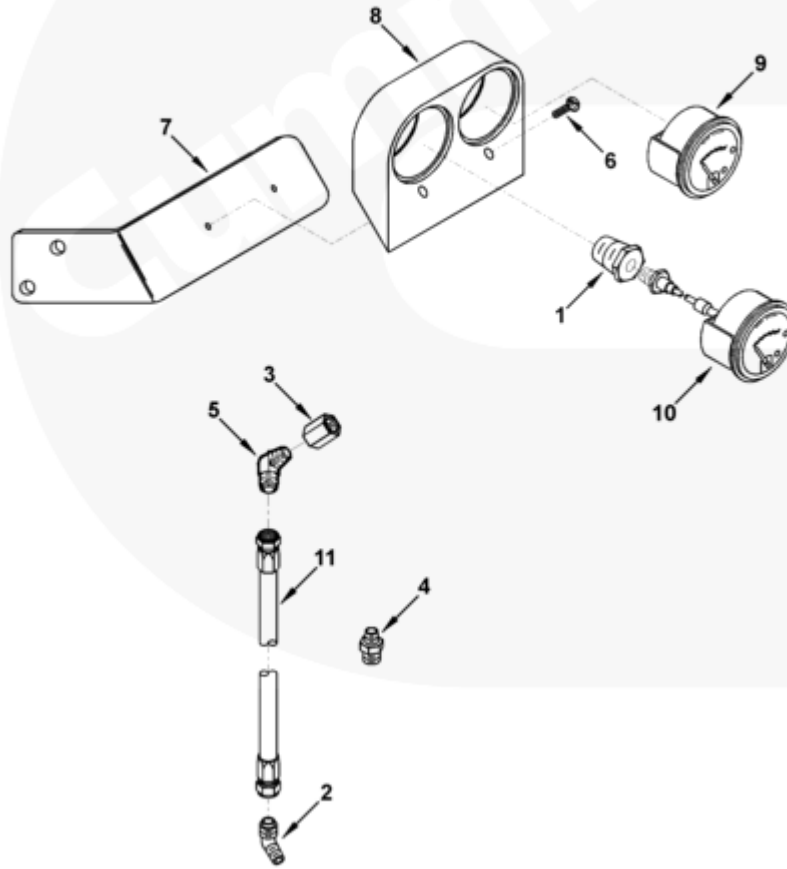




Parts Catalog - Option Detail

Electronic Parts Catalog - Option Detail				
Option	Group	Graphic	Film Card	Date
SD9149-03	15.08	sd954gw	T	21-FEB-05
Engines	4B3.9, 6A3.4, 6B5.9, B GAS INTERNATIONAL CM556, B4.5, B4.5 CM2350 B129B, B4.5 CM2350 B146C, B4.5 CM2350 B147B, B4.5 RGT, B4.5S, B5.9 G, B5.9 GAS PLUS CM556, B5.9 LPG, B5.9 LPG PLUS CM556, B6.7 CM2350 B121B, B6.7 CM2350 B135B, B6.7 CM2350 B136C, B6.7 CM2350 B148B, B6.7 G CMOH6.0 B125, B6.7N CM2380 B150B, B6.7S, F3.8 CM2350 F120B, F3.8 CM2350 F128C, F3.8 CM2350 F132B, F3.8 F102, G3.9, G5.9, G5.9 CM558, ISB (CHRYSLER), ISB CM2150, ISB CM2150 E, ISB CM550, ISB CM850, ISB/ISD4.5 CM2150 B119, ISB/ISD4.5 CM2150 SN, ISB/ISD6.7 CM2150 B120, ISB/ISD6.7 CM2150 SN, ISB/ISD6.7 CM2880 B126, ISB3.9 CM2220 B107, ISB4.5 CM2150, ISB5.9G CM2180, ISB6.7 2010 DCX PICKUP, ISB6.7 2013 DCX CHASSIS CAB, ISB6.7 CM2150 SQ, ISB6.7 CM2250, ISB6.7 CM2350 B101, ISB6.7 CM2350 B103, ISB6.7 CM2350 B142, ISB6.7 CM2670 B153B, ISB6.7 G CM2180 B118, ISBE CM2150, ISBE CM800, ISBE2/ISBE3 CM850, ISBE4 CM850, ISD4.5 CM2150, ISD6.7 CM2880 D101, ISF2.8 CM2220, ISF2.8 CM2220 AN, ISF2.8 CM2220 EC, ISF2.8 CM2220 ECF2, ISF2.8 CM2220 F101, ISF2.8 CM2220 F117, ISF2.8 CM2220 F122, ISF2.8 CM2220 F126, ISF2.8 CM2220 F129, ISF2.8 CM2220 IAN, ISF3.8 CM2220, ISF3.8 CM2220 AN, ISF3.8 CM2220 F103, ISF3.8 CM2220 F110, ISF3.8 CM2220 F116, ISF3.8 CM2220 F134B, ISF3.8 CM2220 IAN, ISF3.8 CM2350 F109, ISF4.5 CM2220 F123, ISG11 CM2880 G106, ISG11 CM2880 G108, ISG12 CM2880 G107, ISG12 CM2880 G109, ISG12 G CMOH6.0 G111, QSB3.9 30 CM550, QSB3.9 CM2880 B138, QSB4.5 30 CM550, QSB4.5 CM2150 B108, QSB4.5 CM2250 B131, QSB4.5 CM2250 EC, QSB4.5 CM2350 B106, QSB4.5 CM2350 B122			



sd954gw

SMALL | MEDIUM | LARGE

Cart	Ref No	Part Number	Part Description	Required	Remarks
View My Cart					
		SD9149-03	Engine Instrument		Instrument, Engine...(More)
					Cylinders: 6
					Application: Marine
					Voltage: N/A
					Oil Pressure Gauge Provided:
					Yes
					Oil Pressure Gauge Range:
					0-100 PSI
					Coolant Temperature Gauge

					Provided: Yes
					Coolant Temperature Gauge
					Range: 130-250 Deg F
					Pressure and Temperature
					Gauge Package Mounts on Side
					of Aftercooler Mounting
					Bracket.
<input type="checkbox"/>	1	S 982	Reducing Pipe Bushing	1	
<input type="checkbox"/>	2	S 1047 A	Male Adapter Elbow	1	
<input type="checkbox"/>	3	S 1059	Plain Pipe Coupling	1	
<input type="checkbox"/>	4	68138	Male Connector	1	
<input type="checkbox"/>	5	69318	Plain Street Pipe Elbow	1	
<input type="checkbox"/>	6	132048	Pan Head Cap Screw	2	#10 - 32 X 5/8"
<input type="checkbox"/>	7	3866454	Instrument Bracket	1	
<input type="checkbox"/>	8	3925628	Instrument Panel	1	
<input type="checkbox"/>	9	3925629	Pressure Gauge	1	
<input type="checkbox"/>	10	3925630	Temperature Gauge	1	
<input type="checkbox"/>	11	4070082	Flexible Hose	1	